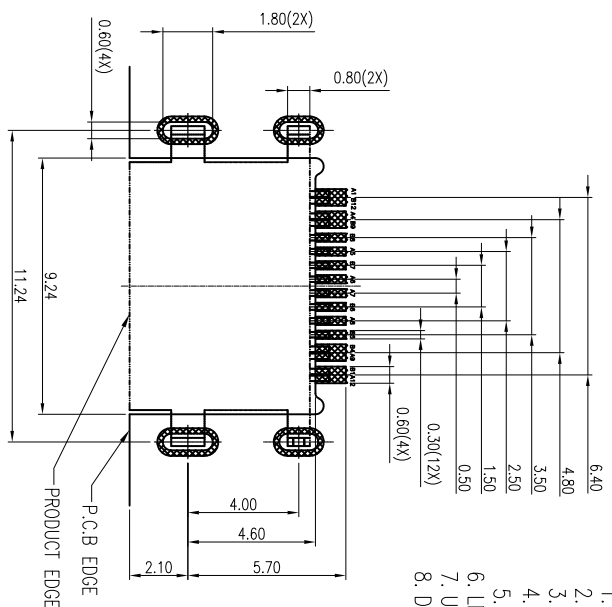
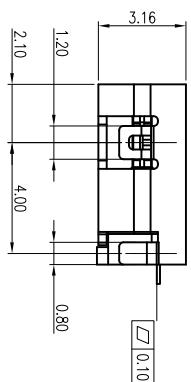
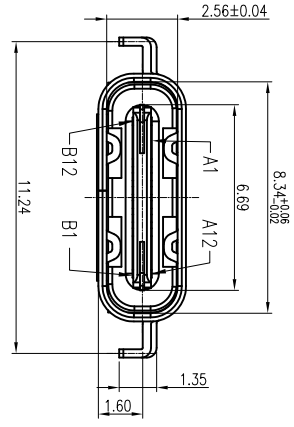
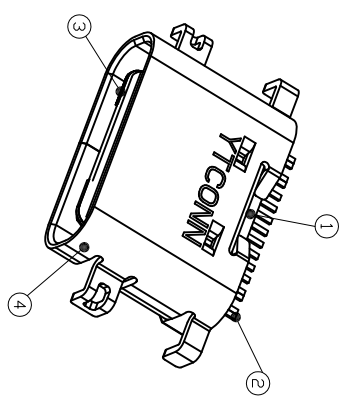
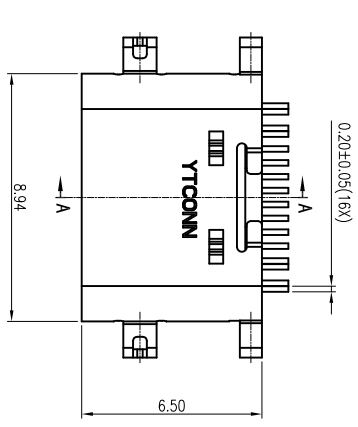


REV	ECN #	DESCRIPTION	DRAWING	APPROVED	DATE
A		NEW RELEASE	JIANG		2018/11/15



- NOTES:
SPECIFICATION:
- CURRENT RATING: 3.0A MAX
 - VOLTAGE: 100 VAC
 - TEMPERATURE RANGE: -30 °C ~ 85 °C
 - CONTACT RESISTANCE: 40 MILLIONHM MAX
 - INSULATION RESISTANCE: 100 MEGOHMS MIN.
 - INSERTION FORCE: 5N~20N
 - UNMATING FORCE: 8N~20N
 - DURABILITY: 10,000 CYCLES

PRODUCT NO.

UC01 - 16 C B 05 - 02

① 产品系列: UC01 : USB TYPE C REC L=6, 50

② 产品PIN数: 16: 16PIN

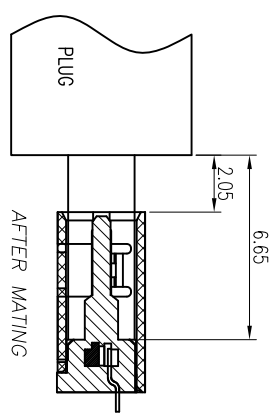
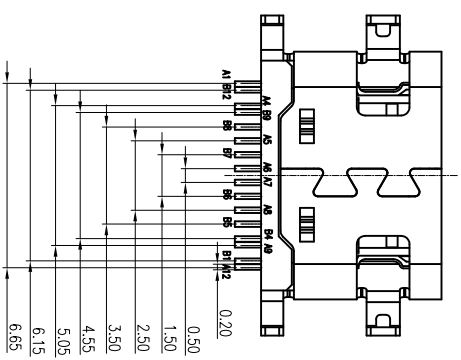
③ 材质: C: LCP

④ 颜色码: B: BLACK

⑤ 电键规格码: 05: 半金属喇叭U"

⑥ 产品流水码: 02: 沉板1.60

RECOMMENDED PCB LAYOUT(TOP VIEW)
THICKNESS 0.80MM;DEFAULT TOLERANCE:±0.05



A1	GND	B12	GND
A4	VBUS <td>B9</td> <td>VBUS </td>	B9	VBUS
A5	CC1 <td>B8</td> <td>SBU2 </td>	B8	SBU2
A6	DP1 <td>B7</td> <td>DN2 </td>	B7	DN2
A7	DN1 <td>B6</td> <td>DP2 </td>	B6	DP2
A8	SBU1 <td>B5</td> <td>CC2 </td>	B5	CC2
A9	VBUS <td>B4</td> <td>VBUS </td>	B4	VBUS
A12	GND <td>B1</td> <td>GND </td>	B1	GND
PIN	SIGNAL NAME	PIN	SIGNAL NAME

NO.	DESCRIPTION	MATERIAL	REMARKS	QTY
4	FRONT SHELL	STAINLESS STEEL		1PCS
3	MID PLATE	COPPER ALLOY	CLEAR ONLY	1PCS
2	CONTACTS	COPPER ALLOY	Au/Ni Plated	1SET
1	HOUSING	HIGH TEMPERATURE PLASTIC	BLACK	1PCS

CUSTOMER DRAWING

YTCONN
Dongguan YTCOMM Electronics Technology Co., Ltd

http://www.hytconn.com

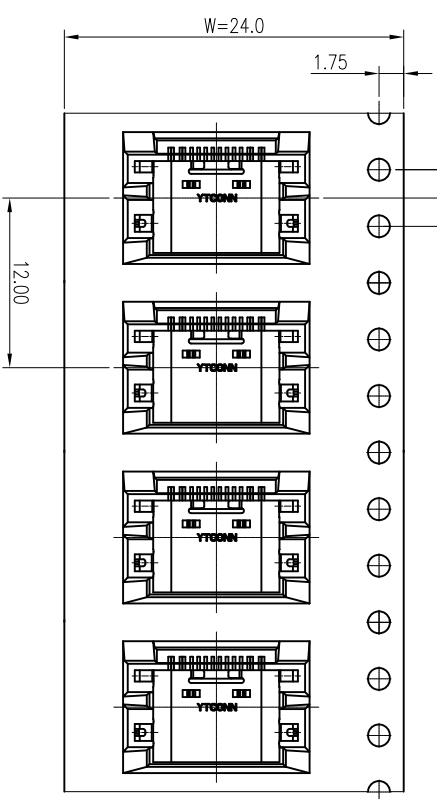
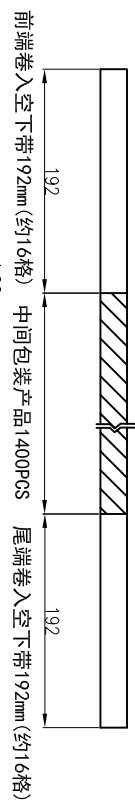
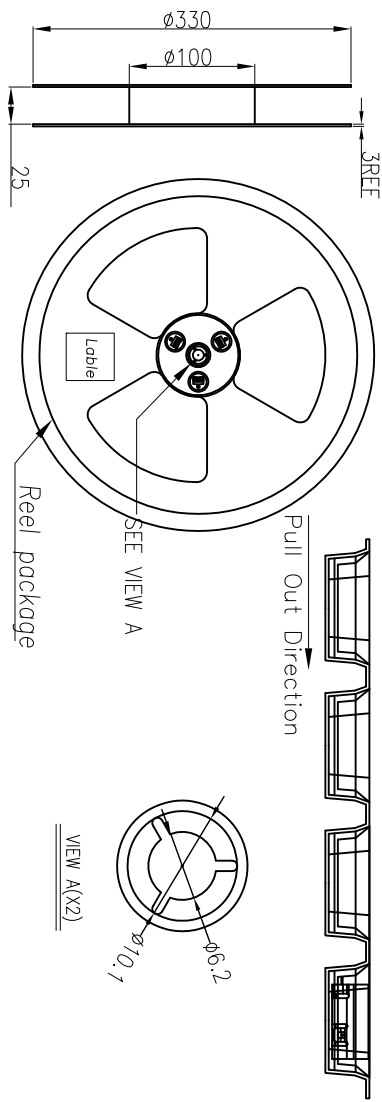
GENERAL TOLERANCE	DRAWING	TITLE:
X	Jiang	USB TYPE C REC 16PIN (L=6, 5)
.X ±0.20	APPROVED	CH=0.00 (沉板1.60mm)
.XX ±0.15		
.XXX ±0.10		

ANGEL TOLERANCE	DATE	DRAWING NO.
X, ±3°	2018. 11. 15	C-UC01-02
XX, ±2°		
.XXX ±1°		

UNIT	SCALE	SIZE	A4	SHEET	1of1	REV	A
mm	1:1	101					

Packing Notes:

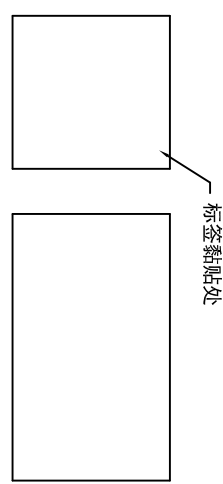
1. Reel : 1400pcs/ Reel.
2. Carton : 23800pcs/ 17 Reel/ Carton.



Pull Out Direction

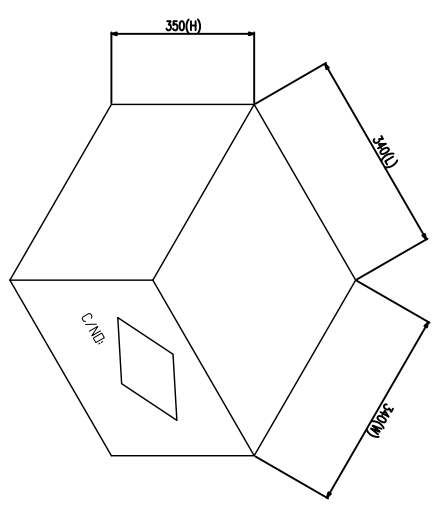
REV	ECN #	DESCRIPTION	DRAWING	APPROVED	DATE
A		NEW RELEASE	DEF1		2018.11.15

- 1) 用TAPE将纸箱封实.
- 2) 将标签贴于纸箱侧.



备 注 (REMARK)

- 1). 若有未装满之零数箱, 必须以缓冲材塞满.
- 2). 在搬运过程中要轻拿轻放.
- 3). 在运输中不可堆放过多, 不可有重压现象.
- 4). 上带在黏贴下带时必须平整, 且黏贴处不要出现气泡.



CUSTOMER DRAWING		YTCOMN		Dongguan YTCOMN Electronics Technology Co., Ltd.	
GENERAL TOLERANCE		DRAWING	Jiang	TITLE:	USB TYPE C REC 16PIN (I=6.5) MID MOUNT CH=0.0 包装图
X	±0.20	APPROVED		P/N:	UC01-16CB16-02
XX	±0.15	DATE	2018.11.15	DRAWING NO.	P-UC01-02
XXX	±0.10	UNIT	mm	SCALE	1:1
ANGEL TOLERANCE		SIZE	A4	SHEET	1of1
X	±3°	REV			A
XX	±2°				
XXX	±1°				