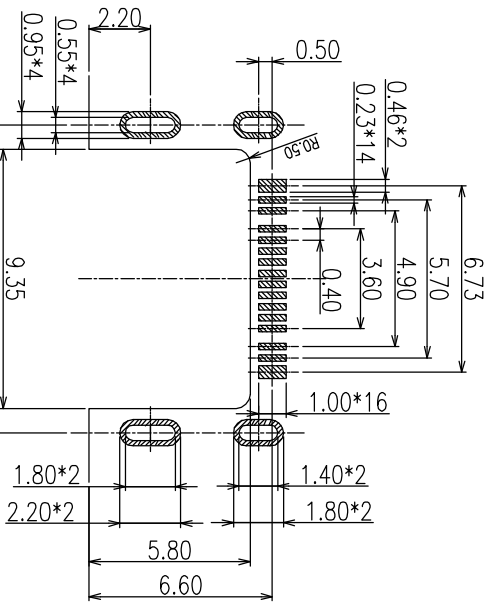
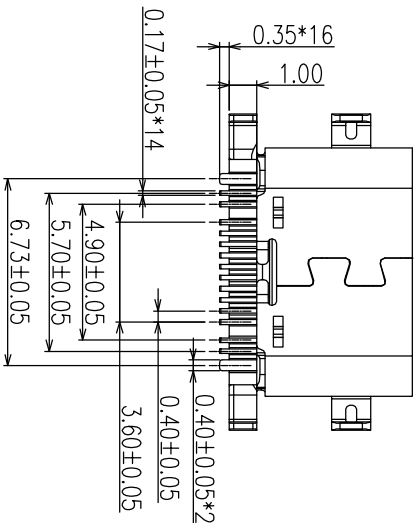
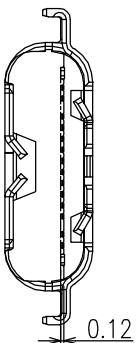


SECTION A-A



RECOMMENDED P.C. BOARD LAYOUT (TOP VIEW)
TOLERANCES UNLESS OTHERWISE SPEC 0.05

Pb
Compliant
2002/95/EC
ROHS

REV	ECON #	DESCRIPTION	DRAWING	APPROVED	DATE
A		NEW RELEASE	DEYI		2012\06\28

NO.	DESCRIPTION	MATERIAL	REMARKS	QTY
4	FRONT SHELL	STAINLESS STEEL	Ni 30" MIN. UNDER PLATED OVER ALL	1PCS
3	MID PLATE	COPPER ALLOY	CLEAR ONLY	1PCS
2	CONTACTS	COPPER ALLOY	Au/Ni Plated	1SET
1	HOUSING	HIGH TEMPERATURE PLASTIC	BLACK	1PCS

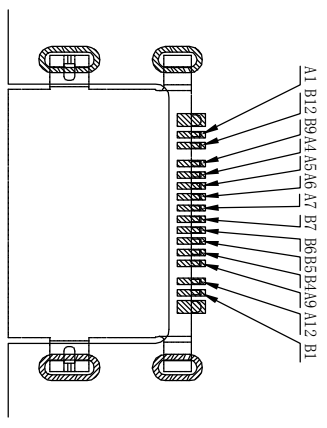
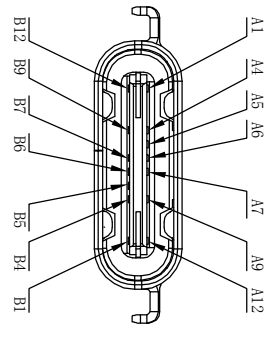
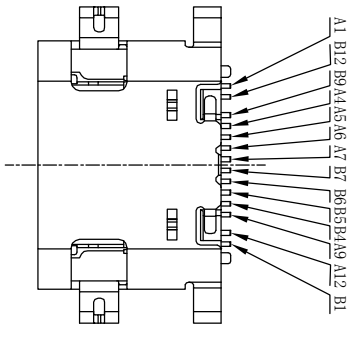
CUSTOMER DRAWING

YTCONN
http://www.hnyconn.com

Dongguan YTCONN Electronics Technology Co., Ltd

GENERAL TOLERANCE		DRAWING		TITLE:	
X	±0.20	DEYI		USB TYPE C 14 PIN 沉板2.0mm	
XX	±0.15	APPROVED		P/N:	UC03-14CB05-00
XXX	±0.10	DATE	2018. 03. 28	DRAWING NO.	C-UC03-00
ANGEL TOLERANCE		UNIT	mm	SCALE	1:1
X, ±3°		SIZE	A4	SHEET	1of2
XX, ±2°		REV			A
XXX, ±1°					

PIN ASSIGNMENT



PCB

NO	NAME	DESCRIPTION	NO	NAME	DESCRIPTION
A1	GND	GROUND RETURN	B12	GND	GROUND RETURN
A4	VBUS	BUS POWER	B9	VBUS	BUS POWER
A5	CC1	CONFIGURATION CHANNEL	B7	DN2	NEGATIVE HALF OF USB 2.0 DIFFERENTIAL PAIR -POSITION1
A6	DP1	POSITIVE HALF OF USB 2.0 DIFFERENTIAL PAIR -POSITION1	B6	DP2	POSITIVE HALF OF USB 2.0 DIFFERENTIAL PAIR -POSITION1
A7	DN1	NEGATIVE HALF OF USB 2.0 DIFFERENTIAL PAIR -POSITION1	B5	CC2	CONFIGURATION CHANNEL
A9	VBUS	BUS POWER	B4	VBUS	BUS POWER
A12	GND	GROUND RETURN	B1	GND	GROUND RETURN

Pb **ROHS** Compliant 2002/95/EC

REV	ECON #	DESCRIPTION	DRAWING	APPROVED	DATE
A		NEW RELEASE	DEYI		2012\06\28

NOTE:
 1.MATERIAL:
 1.1 INSULATOR: HIGH TEMPERATURE PLASTIC UL 94 V-0;
 1.2 CONTACT: COPPER ALLOY(T=0.12mm)
 1.3 SHELL: STAINLESS STEEL(T=0.30mm)
 2.ELECTRICAL CHARACTERISTICS:
 2.1 CONTACT RESISTANCE: 40mΩ Max FOR INITIAL, 10mΩ CHANGE AFTER TEST, MEASURE AT 20mV, 100mA.
 2.2 CONTACT CURRENT RATING: 3A FOR VBUS PIN, 1.25A FOR YCONN PIN.
 2.3 DIELECTRIC WITHSTANDING VOLTAGE: 100V AC R.M.S.
 2.4 INSULATION RESISTANCE 100MΩ Min
 2.5 OPERATING TEMPERATURE: -40°C ~ 85°C
 3.MECHANICAL CHARACTERISTICS:
 3.1 MATING FORCE: 5~20 N
 3.2 UNMATED FORCE: 8~20N AFTER TEST
 3.3 DURABILITY: 5000 CYCLES

PRODUCT NO.

UC03 - 14 C B 05 - 00

① ② ③ ④

① 产品系列:
UC03: USB TYPE C单排连接器

② 产品PIN数:
14: 14PIN

③ 材质:
C: LCP

④ 产品流水码:
00: SMT 拔模2.0mm

CUSTOMER DRAWING

YTCOONN
<http://www.hnyconn.com>
Dongguan YTCOONN Electronics Technology Co., Ltd

GENERAL TOLERANCE	X X ±0.20 .XX ±0.15 XXX ±0.10	DRAWING	DEYI	TITLE:	USB TYPE C 14 PIN 沉板2.0mm
ANGEL TOLERANCE	X, ±3° XX ±2° XXX ±1°	APPROVED		P/N:	UC03-14CB05-00
		DATE	2018. 03. 28	DRAWING NO.	C-UC03-00
		UNIT	mm	SCALE	1:1
		SIZE	A4	SHEET	2of2
		REV	A		